

LAGUNA®

Fusion Tablesaw DRO Calibration



Owner's Manual Supplement
MTSF2 MTSF3
7/1/2021



For immediate service on any Laguna Tools products:

+1 (949) 474-1200
customerservice@lagunatools.com

Laguna Tools, Inc. LAGUNA® and the LAGUNA Logo® are the registered trademarks of Laguna Tools, Inc. All rights reserved. 04/01/2019



LAGUNA AMERICAN HEADQUARTERS

Texas: 744 Refuge Way Suite 200, Grand Prairie, Texas 75050, U.S.A. Phone:

+1-800-332-4094

Huntington Beach: 7291 Heil Ave Huntington Beach, CA 92647, U.S.A. Phone:

+1-949-474-1200

South Carolina: 825 Bistline Dr. Ste 101, West Columbia, SC 29172, U.S.A. Phone:

+1-800-234-1976

Minnesota: 5250 West 74th St, Edina, MN 55439, U.S.A Phone: +1-949-474-1200

lagunatools.com

supermaxtools.com

lagunacleanair.com

lagunalathe.com

LAGUNA EUROPE

Walker Rd, Bardon Hill, Coalville LE67 1TU, United Kingdom. Phone: +44-1530-516921

lagunatools.uk

DAKE CORPORATION

724 Robbins Road, Grand Haven, MI 49417, United States +1-800-937-3253

dakecorp.com





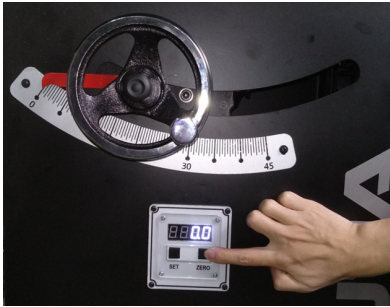
CONTENTS

Fusion Tablesaw DRO Calibration

DRO Calibration	4
DRO Trouble Shooting	5

DRO Calibration

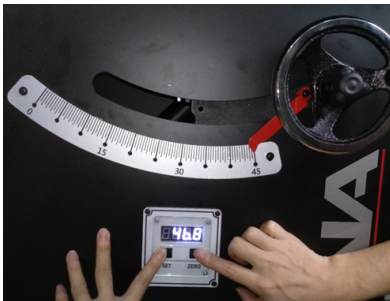
The Fusion 2 and Fusion 3 come standard with a digital read out (DRO). If the DRO every comes out of calibration please use the following guide to reset.



Step 1 : Tilt the scale to 0°, press ZERO to reset , display 0.0.

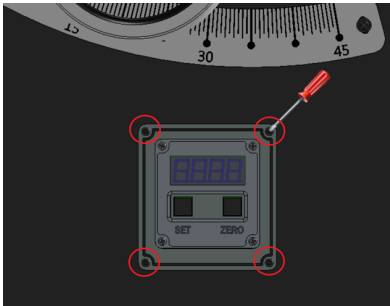
Step 2 : Bevel to 45°, press & hold SET.

Step 3 : While holding SET press and hold ZERO for 3 seconds. The DRO will display 45.0 after the release of ZERO. Release Set.



DRO Trouble Shooting

If you are experiencing problems with the DRO not powering on, please follow this guide.



Step 1: Turn off power and unplug table saw, then remove DRO display cover

Step 2: Pull out the circuit board, check the black and white cords connection.

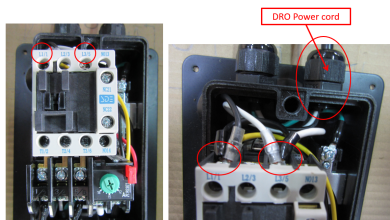
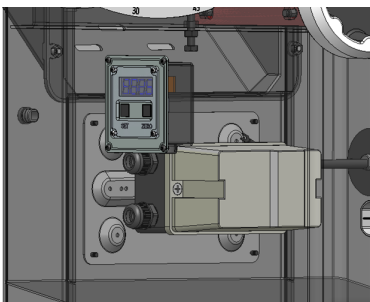
Step 3: If multi-meter is available, please re-plug table saw, and check voltage between black and white cords.

Step 4: If circuit board is checked OK, please check contactor box.



Step 5: The contactor box is inside the cabinet, remove the cover.

Step 6: Check L1 & L3 connection.





LAGUNA AMERICAN HEADQUARTERS

Texas: 744 Refuge Way Suite 200, Grand Prairie, Texas 75050, U.S.A. Phone: +1-800-332-4094
Huntington Beach: 7291 Heil Ave Huntington Beach, CA 92647, U.S.A. Phone: +1-949-474-1200
South Carolina: 825 Bistline Dr. Ste 101, West Columbia, SC 29172, U.S.A. Phone: +1-800-234-1976
Minnesota: 5250 West 74th St, Edina, MN 55439, U.S.A Phone: +1-949-474-1200

DAKE CORPORATION

724 Robbins Road, Grand Haven, MI 49417, United States +1-800-937-3253

LAGUNA EUROPE

Walker Rd, Bardon Hill, Coalville LE67 1TU, United Kingdom. Phone: +44-1530-516921

© 2021 Laguna Tools